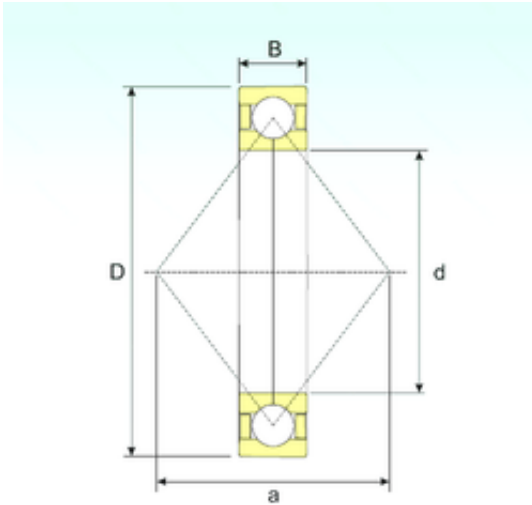




SKF BEARING LTD.



120 mm x 260 mm x 55 mm ISB QJ 324 N2 M
angular contact ball bearings

Bearing No. QJ 324 N2 M

Size	120x260x55 mm
Bore Diameter	120 mm
Outer Diameter	260 mm
Width	55 mm
d	120 mm
D	260 mm
B	55 mm
C	55 mm
a	133 mm
Weight	16 Kg
Basic dynamic load rating (C)	406 kN
Basic static load rating (C0)	519 kN
(Grease) Lubrication Speed	3442 r/min

QJ 324 N2 M Bearing 2D drawings and 3D CAD models