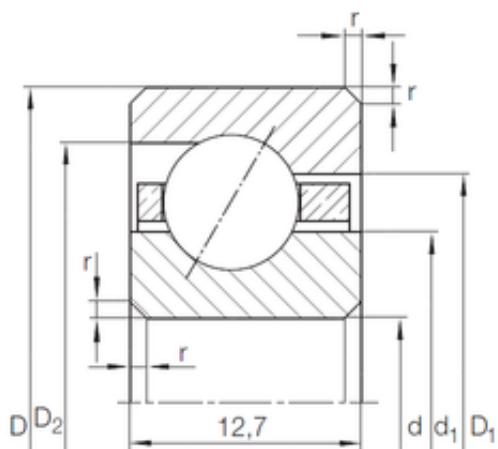




## SKF BEARING LTD.

279,4 mm x 304,8 mm x 12,7 mm INA CSED  
1103) angular contact ball bearings



Bearing No. CSED 1103)

Size	279.4x304.8x12.7 mm
Bore Diameter	279,4 mm
Outer Diameter	304,8 mm
Width	12,7 mm
d	279,4 mm
D	304,8 mm
B	12,7 mm
C	12,7 mm
d1	288,8 mm
r min.	1,5 mm
D1	295,4 mm
D2	298 mm
Weight	0,93 Kg
Basic dynamic load rating (C)	18,4 kN
Basic static load rating (C0)	37 kN

CSED 1103) Bearing 2D drawings and 3D CAD models