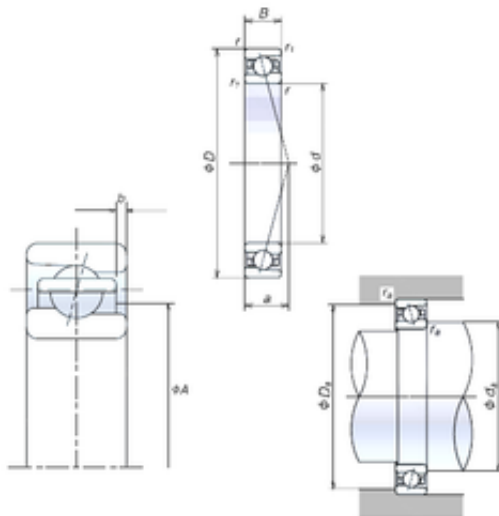




SKF BEARING LTD.

25 mm x 42 mm x 9 mm NSK 25BER19H angular contact ball bearings

Bearing No. 25BER19H



25BER19H Bearing 2D drawings and 3D CAD models

Size	25x42x9 mm
Bore Diameter	25 mm
Outer Diameter	42 mm
Width	9 mm
d	25 mm
D	42 mm
B	9 mm
C	9 mm
Angle (°)	25 °
a	12,3 mm
b	0,5 mm
r min.	0,3 mm
r1 min.	0,15 mm
A	31 mm
da min.	27,5 mm
Da max.	39,5 mm
ra max.	0,3 mm
Weight	0,038 Kg
Basic dynamic load rating (C)	5,7 kN
Basic static load rating (C0)	3,4 kN
(Grease) Lubrication Speed	47800 r/min