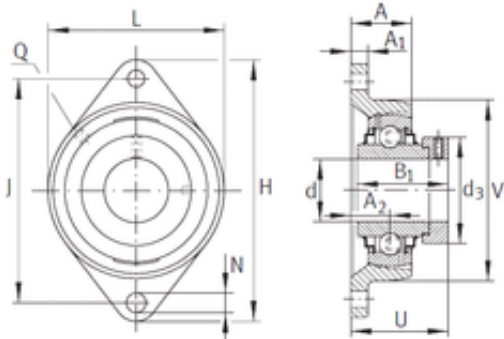




SKF BEARING LTD.

INA RCJT1-11/16 bearing units



Bearing No. RCJT1-11/16

Bore Diameter	42,863 mm
d	42,863 mm
V	111,989 mm
U	59,106 mm
Thread (Q)	1/8 NPT
d3	62,992 mm
A	38,506 mm
A1	15,011 mm
B	56,49 mm
H	180,492 mm
J	148,514 mm
L	111,989 mm
N	13,995 mm
A2	24,003 mm
Category	Flange Block Bearings
Inventory	0.0
Manufacturer Name	SCHAEFFLER GROUP
Minimum Buy Quantity	N/A
Weight / Kilogram	2.275
Product Group	M06110
Number of Mounting Holes	2
Mounting Method	Eccentric Collar
Housing Style	2 Bolt Flange Block
Rolling Element	Ball Bearing
Housing Material	Cast Iron
Expansion / Non-expansion	Non-expansion

RCJT1-11/16 Bearing 2D drawings and 3D CAD models



SKF BEARING LTD.

Mounting Bolts	27/49 Inch
Relubricatable	Yes
Insert Part Number	G1111KRRB
Seals	Double Land Riding Rubber Contact
Housing Configuration	1 Piece Solid
Pilot Configuration	No Pilot
Inch - Metric	Inch
Long Description	2 Bolt Flange Block; 1-11/16" Bore; 5.8" Bolt Circle; 5.847" Bolt Spacing; 1 Piece Solid; Eccentric Collar Mount; Cast Iron; Ball Bearing; 2.217" Length Thru Bore; Relubricatable;
Other Features	Single Row With Set Screw
Category	Flange Block
UNSPSC	31171501
Harmonized Tariff Code	8483.20.40.40
Noun	Bearing
Keyword String	Flanged
Manufacturer URL	http://www.ina.com
Manufacturer Item Number	RCJT1-11/16
Weight / LBS	4.631
Nominal Bolt Circle Diameter Round	5.8 Inch 148 Millimeter
Cartridge Pilot Depth	0 Inch 0 Millimeter
Bore	1.688 Inch 42.875 Millimeter
Length Thru Bore	2.217 Inch 56.3 Millimeter
Cartridge Pilot Diameter	0 Inch 0 Millimeter
Bolt Spacing	5.847 Inch 148.514 Millimeter