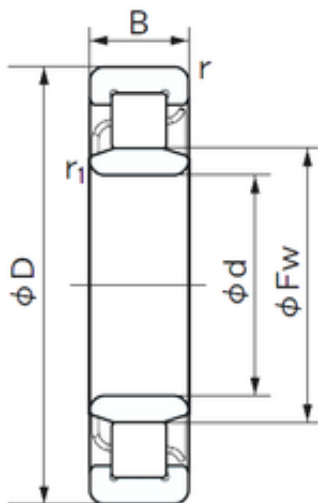




## SKF BEARING LTD.



100 mm x 215 mm x 47 mm NACHI NU 320 E cylindrical roller bearings

Bearing No. NU 320 E

Size	100x215x47 mm
Bore Diameter	100 mm
Outer Diameter	215 mm
Width	47 mm
d	100 mm
Fw	127.5 mm
D	215 mm
B	47 mm
r min.	3 mm
r1 min.	3 mm
Weight	8.45 Kg
Basic dynamic load rating (C)	380 kN
Basic static load rating (C0)	425 kN
(Grease) Lubrication Speed	2200 r/min

NU 320 E Bearing 2D drawings and 3D CAD models