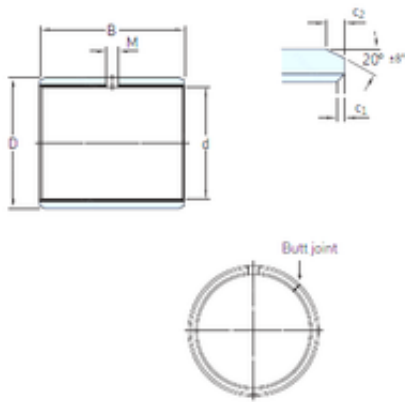




# SKF BEARING LTD.



## 63,5 mm x 68,263 mm x 76,2 mm SKF PCZ 4048 E plain bearings

Bearing No. PCZ 4048 E

PCZ 4048 E Bearing 2D drawings and 3D CAD models

Size	63.5x68.263x76.2 mm
Bore Diameter	63,5 mm
Outer Diameter	68,263 mm
Width	76,2 mm
d	63,5 mm
D	68,263 mm
B	76,2 mm
c1 min	0,2 mm
c2 min	1,2 mm
M	– mm
Weight	0,285 Kg
Basic dynamic load rating (C)	380 kN
c <sub>1</sub> min.	0.2 mm
c <sub>1</sub> max.	1 mm
c <sub>2</sub> min.	1.2 mm
c <sub>2</sub> max.	2.4 mm
± 8	20 °
Shaft diameter range min.	63.482 mm
Shaft diameter range max.	63.528 mm
Housing bore range min.	68.247 mm
Housing bore range max.	68.278 mm
Basic dynamic load rating - radial direction C	380 kN
Basic static load rating - radial direction C <sub>0</sub>	1200 kN



## SKF BEARING LTD.

Specific dynamic load factor K	80 N/mm <sup>2</sup>
Specific static load factor K <sub>0</sub>	250 N/mm <sup>2</sup>
Factor depending on material and bearing type K <sub>M</sub>	480
Permissible sliding velocity v min.	0 m/s
Permissible sliding velocity v max.	2 m/s
Coefficient of friction μ min.	0.03
Coefficient of friction μ max.	0.25
Mass bushing	0.28 kg